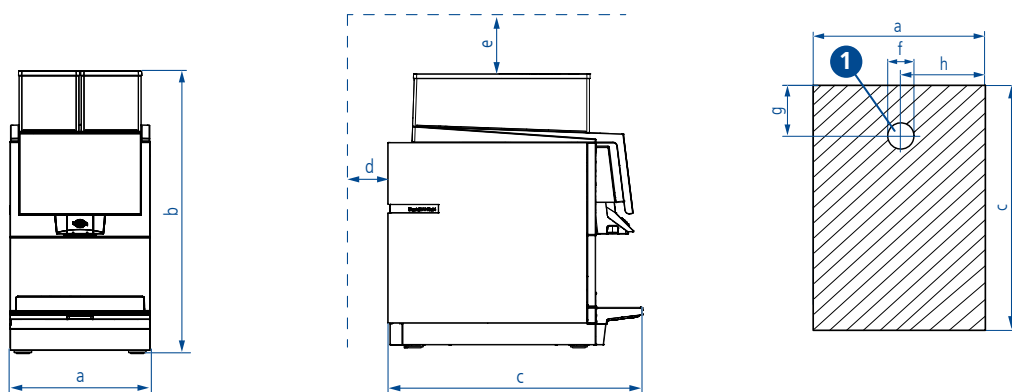


2 BW4-CT (CE)

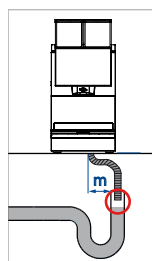


1 Cut out for water inlet and water drain. Also possible for mains cable.

a	320 mm / 12.59 in	c	600 mm / 23.62 in	e	350 mm / 13.77 in	g	150 mm / 5.9 in
b	CE: 646 mm / 25.43 in (feet: 57 mm / 2.24 in) or optional 676 mm / 26.61 in (feet: 87 mm / 3.42 in)	d	50 mm / 1.96 in	f	70 mm / 2.75 in	h	160 mm / 6.29 in

Drain

- **m**: Distance from machine to drain < 1000 mm / 39.37 in.
- Drain line (hose) not sagging.
- No back pressure in the water line.
- The end of the line not submerged in water.



Machine parameters		Water connection specifications	
Connection / Machine with one phase (limited power):	220-240 VAC / 50-60 Hz 3100-3700 W / 16 A	Water connection	3/8"
		Dynamic water pressure	2-4 bar 29-58 psi
		Water boiler pressure	11.7 bar 169.6 psi
Height outlet	85-172 mm (manual) / 100-190 mm (autom.) 3.34-6.77 in (manual) / 3.93-7.48 in (autom.)	Chlorine TDS	None 70-200 ppm
Weight	53 kg / 116.85 lbs	Total hardness	5-8 °dH / 8-14 °fH
		pH	6.8-7.4
		Alkalinity	<100 ppm
		Iron	<0.25 ppm